



**HOT TUB  
INSTRUCTION  
MANUAL**



# Thank You!

**Thank you for choosing Relax Hot Tubs** and placing your trust in our brand.

We are confident that you will experience numerous benefits from using our product for years to come.

We hope you thoroughly enjoy your hot tub experience!

## This Booklet

This booklet provides detailed information on how to properly start up your tub, including fast heat up tips.

Optional extras, cover regulations, safety precautions and warranty information are also included for your reference.

Please take a quick read of this booklet before using your tub for the first time and for future reference.

## Table Of Contents

Quick start-up procedure .....	2
Filter cartridge maintenance .....	3
Draining the tub / Teak wood oil .....	4
Nature2 mineral water treatment / Other points to mention .....	5
Technical support / Optional extras .....	6
Cover regulations .....	7-8
Safety precautions .....	9-12
Warranty .....	13-15

# QUICK START UP GUIDE

## Fill the tub with water

Drape over the top of the tub your garden hose and fill.

Ideal water level is approx. 200mm from the top.

## Filter air bleed valve

Once the tub is filled, open the filter air bleed valve (labelled and located on top of filter lid) and wait for all the air to escape from the filter then close the valve.

Make sure the pump is not on when doing this as air will be sucked in and can cause issues.

Do not over-tighten the air bleed valve

## Fast heat up (from cold)

Turn pump on (at wall).

Set the desired temp. by pushing the up or down arrows.

Turn the pump off (at the wall).

Wait 10 seconds then turn the pump on again (at the wall).

The tub will now heat up continuously to the set temp

Heating the water up from cold will generally take 12-24 hours.

# Accessing The Filter

**BEFORE OPENING THE FILTER LID, THE TUB WATER LEVEL MUST BE BELOW THE TOP OF THE FILTER LID OTHERWISE WATER WILL SPILL OUT.**

## OPENING THE FILTER

- LIFT UP THE FILTER LID SIDE LATCH (ON TOP OF THE FILTER) THEN SPIN THE LOCKING RING (CONNECTED TO THIS SIDE LATCH) AROUND IN AN ANTI-CLOCKWISE DIRECTION TO REMOVE.
- OPEN THE AIR BLEED VALVE (TO RELEASE THE PRESSURE) THEN REMOVE THE TOP LID PIECE.

## CLOSING THE FILTER

- REPLACE THE TOP LID PIECE BY PUSHING IT DOWN FIRMLY.
- SPIN THE LOCKING RING AROUND IN A CLOCK-WISE DIRECTION UNTIL IT CAN SPIN NO MORE.

**PLEASE NOTE: THE LOCKING RING DOES NOT NEED TO BE SPUN AROUND TO BE SUPER TIGHT!**

IT CAN BE QUITE LOOSELY TIGHTENED

- MAKE SURE THE FILTER LID AIR BLEED VALVE IS CLOSED.  
DO NOT OVERTIGHTEN-DOES NOT NEED TO BE CLOSED SUPER TIGHT!



WE SUGGEST REPLACING THE FIRST FILTER CARTRIDGE AFTER 3 MONTHS THEN EVERY 3-6 MONTHS AFTER THE INITIAL FIRST ONE.

BUY NEW FILTER CARTRIDGES FROM US.

## Draining The Tub

It is recommended to drain the tub and refill it with fresh water every 3 months as a general guideline.

To drain the tub, simply open the valve.

Connect a long hose (20mm dia) if desired to drain further away.

If you are using our Nature2 natural water treatment, you can recycle the old tub water onto your garden or grass.



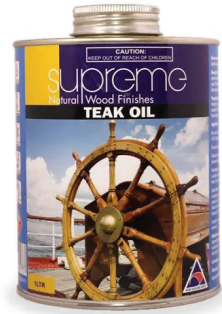
## Wood Oil

Every 12 months or so, it is recommended to oil the tub.

Here is the recommended method for oiling:

1. Shake the oil container well before use.
2. Apply wood oil using a cloth.
3. Buff off any excess.
4. Keep the freshly oiled surfaces dry, especially the top horizontal step tread pieces, for at least 24 hours after oiling to prevent water spotting.

Your tub according to what you have chosen has either been oiled with the lighter SUPREME TEAK OIL or darker RESENE WOODSMAN OIL.



# Nature2 Mineral Water Treatment

Introducing the Nature2 Mineral Stick - a chlorine-free and chemical-free solution for treating your hot tub.

This innovative product purifies your water by dispensing silver and zinc ions automatically, ensuring optimal water quality.

Simply place the Nature2 stick inside your filter cartridge.

If you are using Nature2, you can recycle the old tub water onto your garden.

For added convenience, you can easily purchase this product from us.



## Other Points To Mention

- Please be cautious of the **razor-sharp stainless steel band** around the bottom of the tub. It is advisable to wear gloves when lifting the tub.
- The five black lengths of wood under the tub are the tub feet. **Do not try to remove!**
- To operate the **4 x black bubble valves** on the top of tub cedar pieces, twist in an anti-clockwise direction to turn on the air bubbles and opposite direction to turn off the air bubbles. **Remember to turn off when not in use to avoid increased heating costs.**

## Technical Support

If you have any questions or need support, please email [sales@relaxhottubs.co.nz](mailto:sales@relaxhottubs.co.nz).

Please provide a brief description of your inquiry along with your phone number and a representative will promptly contact you.

## Optional Extras

Buy directly from [spastore.co.nz](http://spastore.co.nz)



### SPA & HOT TUB MAINTENANCE KIT

Includes:

- Spa-Vac Underwater Vacuum
- Spa Scoop
- Spa Brush
- Scum Absorbing Disk.

### NATURAL SPA PIPE CLEANER

Recommended to clean spa hoses/pipes every three months when refilling spa with fresh water.

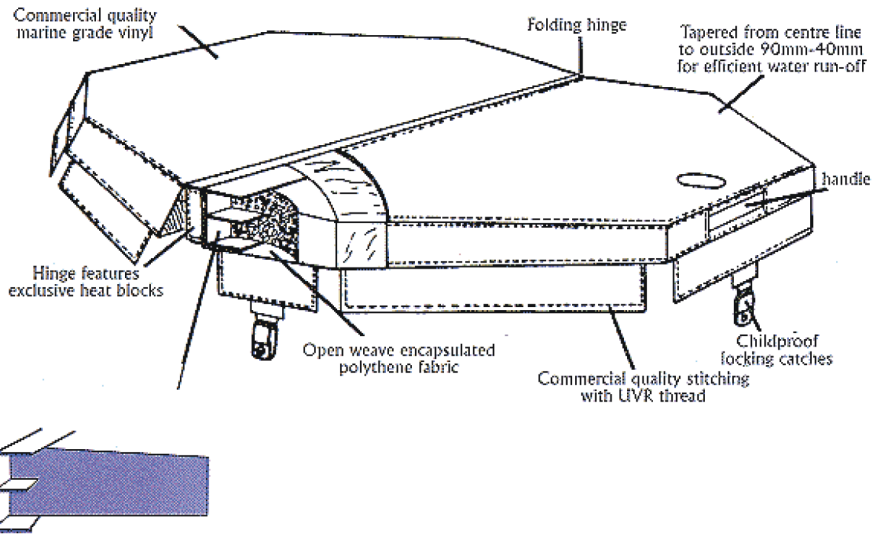
- Safe for the environment
- 100% natural, biodegradable & sustainable.



### WATER WAND CARTRIDGE CLEANER

- Hand-held cartridge filter cleaner
- Soft rubber comb removes hair and other debris
- Works with a standard garden hose.

# Cover Regulations



## Fencing of Swimming Pools Act 1987 (FOSP Act) & NZS 8500:2006

The FOSP Act requires that, in the absence of a specific exemption, every spa pool be fenced and property owners must obtain a building consent from their Council to install a spa pool. In 2006, New Zealand Standards released NZS 8500:2006 with the intention that it will replace the current schedule in the FOSP Act. This standard specifies that under certain conditions spa pools need not be fenced. However, until Parliament enacts the change to the FOSP Act, the responsibility for granting exemptions still rests with each Council. Councils may use NZS8500:2006 as a guideline. South Pacific covers confirms that, with respect to its Lockable Spa Cover, all the requirements of NZS8500:2006 that are to be met by it, as manufacturer and distributor, are complied with. The only other requirements are those that the spa owner / property owner must meet. All these are set out below. Property owners may use this information in their negotiation with their Council.

**The cover is:**

1. Manufactured with a commercial grade vinyl and UVR thread that meets ASTM F1346-91
2. Tapered from the centre line to the outside, 90mm to 40mm, to allow water runoff
3. Strengthened by the addition of rigid E bars to the foam billets at the centre fold point
4. Capable of holding a 20Kg weight
5. Fitted with four evenly spaced lockable catches that may be locked with the supplied keys
6. Not able to be lifted, once latched, to give a clearance of 100mm
7. Stamped with the words "WARNING This cover must be kept locked except when under adult supervision" together with the approved warning logo on the handle.

**South Pacific Covers:**

1. Believe that a child aged under six will not be able to open the catches once locked
2. Believe that a cover properly maintained will have a life of at least five years
3. Recommend that children do not jump on the cover
4. Recommend that the cover is cleaned twice yearly with a vinyl cleaner that does not contain petroleum solvents and that the lockable catches are washed twice yearly.

**The property owner is responsible to ensure that:**

1. The tub is set down in such a way that a minimum height of 760mm is maintained at all points
2. Removable steps or objects that may allow a child to climb up are stowed at least 1.2m from the tub
3. When not in use or supervised the cover will be kept locked
4. The cover and lockable catches are maintained in a good working order
5. At all times the provisions of NZS 8500:2006 are met.

# Safety Precautions

For your own safety and that of your product, please make sure to follow the safety precautions below. Failure to follow the instructions may result in serious injury, property damage or death. Improper installation or operation will void the warranty.

**PLEASE ENSURE THAT YOU READ, UNDERSTAND AND FOLLOW ALL INSTRUCTIONS.**

**KEEP THIS MANUAL FOR FUTURE REFERENCE!**

## **DANGER**

- Risk of Accidental Drowning. Extreme caution must be exercised to prevent unauthorized access by children.
- Risk of drowning. Inspect the tub cover regularly for leaks, premature wear and tear, damage or signs of deterioration. Never use a worn or damaged cover as it will not provide the level of protection required to prevent unsupervised access to the tub by a child.
- Risk of drowning. Always lock the tub cover after each use.
- Risk of injury. The suction fittings in this tub are sized to match the specific water flow created by the pump. Never operate the tub if the suction fittings are broken or missing. Never replace a suction fitting with an incompatible one.
- Risk of injury. If the supply cord is damaged, it must be replaced by the manufacturer, a service agent or a similarly qualified person in order to avoid hazards.
- Risk of Electric Shock. Do not permit any electrical appliances, such as lights, telephones, radios or televisions, within 1.5m (5 feet) of a tub.
- Risk of Electric Shock. Do not use the tub when it is raining, thundering or lightning.

## **WARNING**

- To reduce the risk of electric shock, do not use an extension cord, timers, plug adaptors or converter plugs to connect the unit to the electrical supply; provide a properly located outlet.
- This appliance with its incorporated heating elements must be connected to a grounded mains supply socket with a supply cord fitted with a plug and a PRCD (portable residual current device) with a tripping current of 10mA.

- This appliance with earthing must only be plugged directly into an earthed socket-outlet for fixed wiring.
- Parts containing live components, except those parts supplied with safety extra-low voltage not exceeding 12V, must be inaccessible to anyone using the tub.
- Parts incorporating electrical components, except remote control devices, must be located or fixed so that they cannot fall into the tub.
- Electrical installation should fulfil the local requirement or standards.
- To reduce risk or injury, keep children away from this product unless they are closely supervised at all times.
- To reduce the risk of child drowning, supervise children all times. Children under 10 years should be under the active supervision of a person 16 years or older whilst in tub pool area. Attach and lock the tub cover after each use.
- The appliance is not to be used by persons (including children) with reduced physical, sensory or mental capabilities, on lack of experience and knowledge, unless they have been given supervision or instruction.
- Children being supervised not to play with the appliance.
- Make sure that the floor is able to support the expected load, which can be found on the specifications sheet. You will need to calculate the expected water capacity load plus the total weight.
- An adequate draining system must be provided around the tub to deal with overflow water.

**To reduce the risk of injury:**

- a) Lower water temperatures are recommended for young children and when tub use exceeds 10 minutes. In order to avoid the possibility of hyperthermia (heat stress) occurring, it is recommended that the average tub-pool water temperature does not exceed 40°C (104°F).
- b) Since excessive water temperatures have a high potential for causing foetal damage during the early months of pregnancy, pregnant or possibly pregnant women should limit the tub water temperature to 38°C (100°F).
- c) Before entering the tub, the user should measure the water

temperature with an accurate thermometer since the tolerance of water temperature regulating devices may vary.

- d) The use of alcohol, drugs or medication before or during tub use may lead to unconsciousness with the possibility of drowning.
  - e) The use of alcohol, drugs or medication can greatly increase the risk of fatal hyperthermia in tubs.
  - f) The causes and symptoms of hyperthermia may be described as follows: Hyperthermia occurs when the internal body temperature reaches a level several degrees above the normal body temperature of 37°C (98.6°F). The symptoms of hyperthermia include an increase in the body's internal temperature, dizziness, lethargy, drowsiness, and fainting. The effects of hyperthermia include a failure to perceive heat; a failure to recognize the need to exit the tub; an unawareness of impending hazards; foetal damage in pregnant women; a physical inability to exit the tub; and unconsciousness resulting in the danger of drowning.
  - g) Obese persons or persons with a history of heart disease, low or high blood pressure, circulatory system problems, or diabetes should consult a physician before using a tub.
  - h) Persons using medication should consult a physician before using a tub since some medication may induce drowsiness or affect the heart rate, blood pressure, or circulation.
  - i) Check with a doctor before use if pregnant, diabetic, in poor health, or under medical care.
- People with an infectious disease should not use a tub.
  - Do not use a tub immediately following strenuous exercise.
  - Tub heat in conjunction with alcohol, drugs, or medication can cause unconsciousness.
  - Exit immediately if uncomfortable, dizzy, or sleepy. Tub heat can cause hyperthermia and unconsciousness.
  - Always unplug the product from the electrical outlet before removing, cleaning, servicing or making any adjustments.
  - No part of the electric appliance is to be located above the bath during use.
  - Do not bury the electrical cord. Locate the cord where it will not be damaged by lawn mowers, hedge trimmers or any other equipment.

- Do not attempt to plug in or unplug the product while standing in water or when your hands are wet.
- Do not use the tub if it is damaged on delivery and/or if it malfunctions in any way.
- Always add chemicals to water, never add water to chemicals. Adding water to chemicals may cause strong fumes or violent reactions and hazardous chemical spray. For water that has already been used, dispose of it promptly or use water chemicals for cleaning.
- Usually, it is recommended to drain and refill a tub with clean water every 3-4 months.
- Do not leave or set up the tub with a temperature lower than 4°C (39°F) if the heater is not operating.
- To avoid damage to the pump, never turn on the tub if it is not filled to the minimum water line.
- The tub must only be placed on a properly prepared site that meets the floor loading requirement.
- Drain the tub completely if it is not going to be used for a long period of time.
- Do not expose the tub to direct sunlight.
- Check regularly before each use.
- Open the tub top lid when the Bubble function is on.
- In order to avoid a hazard due to the inadvertent resetting of the thermal cut-out, this appliance must not be supplied through an external switching device, such as a timer, or connected to a circuit that is regularly switched on and off by the utility.
- Once the tub is installed, refer to the relevant chapters for details concerning cleaning, periodic checks and other maintenance.

# RELAX HOT TUBS LIMITED WARRANTY

All tubs supplied from Relax Hot Tubs Limited have been manufactured with reliability and simplicity in mind. All tubs and accessories have been inspected and found free of defects prior to leaving the factory.

Relax Hot Tubs Limited warrants all tub models against defects in material and workmanship for a period of: FIVE (5) years for the actual tub (not including cover), TWO (2) years for the pump system and FIVE (5) years for parts at cost.

The warranty period begins from the date of purchase. Before processing any warranty claim, Relax Hot Tubs Limited will require presentation of the original proof of purchase. During the warranty period, Relax Hot Tubs Limited will either repair or replace at its discretion any defective parts. Replacement products or repaired parts will be warranted for only the unexpired portion of the original warranty.

## Warranty Policy

- This limited warranty does not apply to any defect resulting from negligence, accident, misuse, or other reason beyond Relax Hot Tubs Limited reasonable control, included but not limited to: normal wear and tear, negligence or failure to follow the product instructions, improper or inadequate maintenance; connection to improper power supply; chemical water damage, loss of pool water, unauthorized product modification or repair, use for commercial purpose, fire, lightening, flood or other external causes. For more policy rules refer below.
- Where the cost of repair or replacement is not covered under the Warranty Policy, Relax Hot Tubs Limited will advise the buyer of the cost before commencing any repairs.
- This warranty only applies to the original purchaser and terminates upon any transfer of ownership.
- Relax Hot Tubs Limited will not be liable for results of cost of workmanship from unauthorized service person.
- Please refer to the Policy Rules, items that are not included in the warranty, such as water quality issues.
- If any such defects appear or occur the purchaser shall inform Relax Hot Tubs Limited by notice in writing within seven days

of such defect. Any such notice is required to set out the exact nature of the defect and the circumstances in which it was noticed.

(Email: sales@relaxhottubs.co.nz).

### **Returns and Warranty**

Relax Hot Tubs Limited will accept returns for faulty or defective items in line with the consumer guarantees act as long as the fault or defect is reported as soon as it occurs. You cannot claim if:

- You used the product in a way that was outside the intended purpose/use.
- You broke or lost the product, accidental or non-accidental damage.
- You modified the product, and this is what caused the issue.
- Normal wear and tear within the reasonable life of the product

### **Consumer Guarantees Act 1993**

The Consumer Guarantees Act sets out minimum standards for goods sold on Relax Hot Tubs website. In the event that goods sold are defective, faulty or not fit for purpose, the seller has the obligation to repair, replace or refund.

### **Fair Trading Act 1986**

The Fair Trading Act is designed to protect the customer from being misled, either intentionally or unintentionally. This applies to all aspects of the promotion and sale of goods and services including: pricing; where the product was made; where the product is from; the meeting of New Zealand safety standards; availability of products in store and the sales techniques used. The Commerce Commission enforces the Fair Trading Act 1986.

### **Repairs**

If the returned product is still under warranty and the issue is a manufacturing fault the repair will be at Relax Hot Tubs Limited expense. There may be an assessment fee on electrical items. If the product is out of warranty, then the customer can still have the product repaired, however the cost of the repair will be charged to the customer.









[www.relaxhottubs.co.nz](http://www.relaxhottubs.co.nz)